

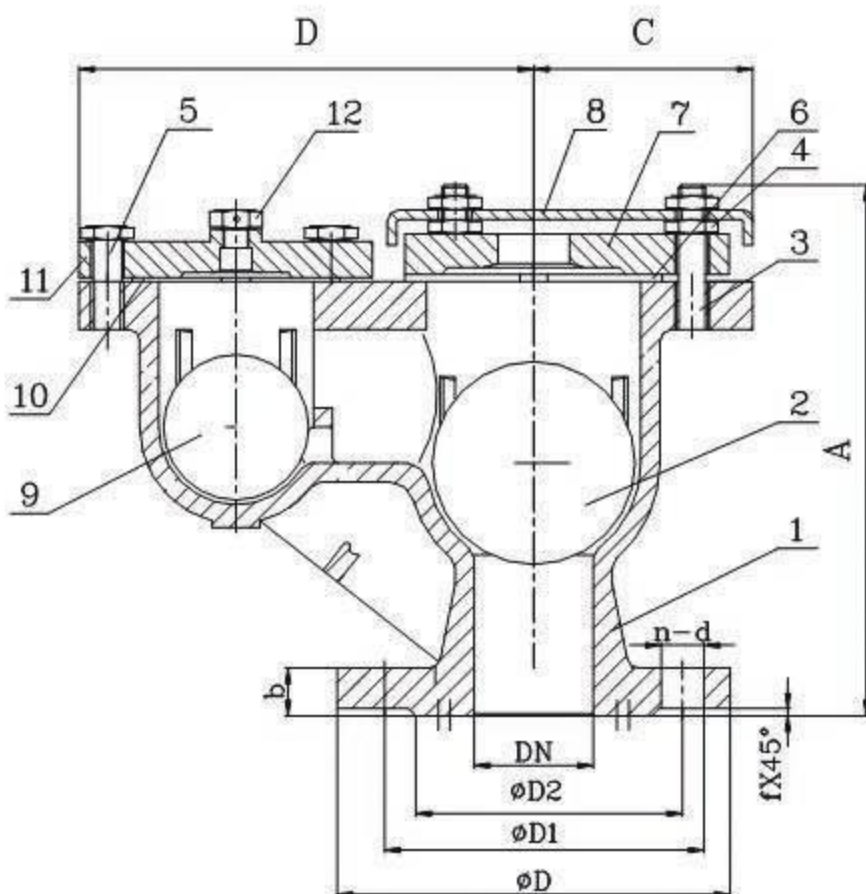


Double Orifice Air Valve

- Design standard: DIN3352
- Flange: DIN 2501
- Test standard: BS6755
- Work temperature: NBR ≤ 80°
EPDM ≤ 120°

Main components and their materials:

NUM	Name	Material
1	Body	Ductile Iron(GGG50)
2	Ball	ABS / SS 1.4572
3	Bolts	SS316
4	Nuts	SS316
5	Bolts	SS316
6	Ball Seal Large Orifice	NBR
7	Large Cover	Ductile Iron(GGG50)
8	Large Up Cover	Ductile Iron(GGG50)
9	Small Ball	ABS / SS 1.4572
10	Small Orifice	Ductile Iron(GGG50)
11	Small Up Cover	Ductile Iron(GGG50)
12	Air Release Nuts	Brass



Dimensions & Weight

DN	40	50	65	80	100	150	200	250	300
A	215	215	215	240	285	385	500	630	765
C	115	115	115	145	145	190	205	235	245
D	187	187	187	230	300	369	398	452	497
Flange: DIN2501 PN16									
D	150	165	185	200	220	285	340	405	460
D1	110	125	145	160	180	240	295	355	410
D2	84	99	118	132	156	211	266	319	374
n-d	4-19	4-19	4-19	8-19	8-19	8-23	12-23	12-28	12-28
b	19	19	19	19	19	19	20	22	32
f	2	3	3	3	3	3	3	3	3
KG/PCS	13	14	17	20	26	61	120	185	230
Flange: DIN2501 PN25									
D	150	165	185	200	235	300	360	425	485
D1	110	125	145	160	190	250	310	370	430
D2	84	99	118	132	165	211	274	330	390
n-d	4-19	4-19	4-19	8-19	8-19	8-23	12-23	12-28	16-30
b	19	19	19	19	19	19	20	22	38
f	3	3	3	3	3	3	3	3	3
KG/PCS	14	15	18	21	28	64	125	195	268

